

1. WOS4000 Optical Communication Platform Rack

1. Product Overview

The WOS4000 optical communication platform is the brand-new 3rd generation product launched by Prevail based on professional experience in development, manufacturing, and sales of CATV transmission equipment over 20 years. It provides powerful function and flexible configuration in HFC optical data transmission solutions. The standard 4RU metal rack contains sixteen compact slots and each can be installed any functional module able to perform hot plug. Built-in dual-power hot backup, efficient fan cooling and appropriate redundant backup of functional modules contribute to carrier-class reliability. The CMM management unit provides a friendly HMI with LCD displays the operating status of each module in real time and convenient parameter setting. The network management software conforming to the SNMP protocol is offered to achieve remote management and automatic monitoring.

2. Performance Characteristics

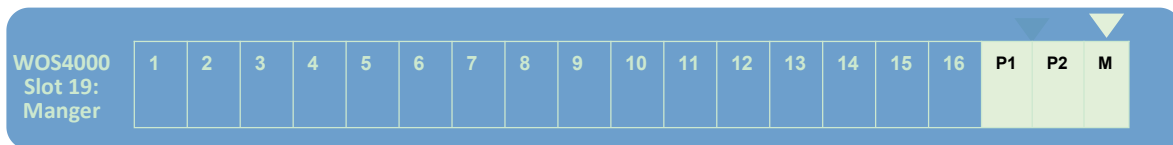
- Compact slots to reduce space occupation.
- Support hot swap, plug and play.
- Advanced heat dissipation for excellent thermal stability.
- Dual power hot backup and multiple power supply options.
- LED status display in the front panel.
- All electronic control, no accessories.
- Powerful network management software.

3. Rack Composition Description

The standard configuration of WOS4000 rack includes:

- One metal chassis with 16 plug-in slots. 4U total in height.
- Two power supply modules. (AC220V or DC48V optional).
- One CMM management unit. LCD display and operation buttons.
- One network transponder with an RS232 interface and a LAN interface.
- Seven on site replaceable fans.

Under the standard configuration, the display screen shows as follows after power on: P1, P2 (for power supply modules) and M (for CMM management unit) are highlighted, i.e. the 3 modules are online.



4. Operation Instructions for the Display Menu

▲ ▼ Up and down keys: Press buttons to move the cursor up, down, left and right. The selected module or menu is highlighted.

Enter key: Press the Enter key to enter the submenu or parameter settings. Press Enter to confirm the setting.

ESC key: Exit or return to the previous menu.

4.1 Submenu Description of M (CMM management unit)

After entering the submenu, the following parameters can be seen:

FanNO.1 ON	Control of Fan 1, ON/OFF can be set	ON: Automatic mode, default fan on temperature is +15°C. OFF: Manually turn off the fan.
FanNO.2 ON	Control of Fan 2, ON/OFF can be set	
FanNO.3 ON	Control of Fan 3, ON/OFF can be set	
FanNO.4 ON	Control of Fan 4, ON/OFF can be set	
FanNO.5 ON	Control of Fan 5, ON/OFF can be set	
FanNO.6 ON	Control of Fan 6, ON/OFF can be set	
FanNO.7 ON	Control of Fan 7, ON/OFF can be set	
Key Sound ON	Key sound control, ON/OFF can be set	
IP Address	IP address setting	
Gateway	Gateway setting	
Net Mask	Subnet mask setting	
Trap Addr1/2	Trap1/Trap2 address setting	
NTP Addr1/2	NTP1/NTP2 address setting	
UTC +0:00	Universal Time Coordinated	
MAC Addr	MAC address setting	
DevTemp °C	Internal temperature	
SN	Serial number	
Version	Version number	
WorkTime	Total operating hours of the CMM unit.	

4.2 Submenu Description of P (power supply module)

After entering the submenu, the following parameters can be seen:

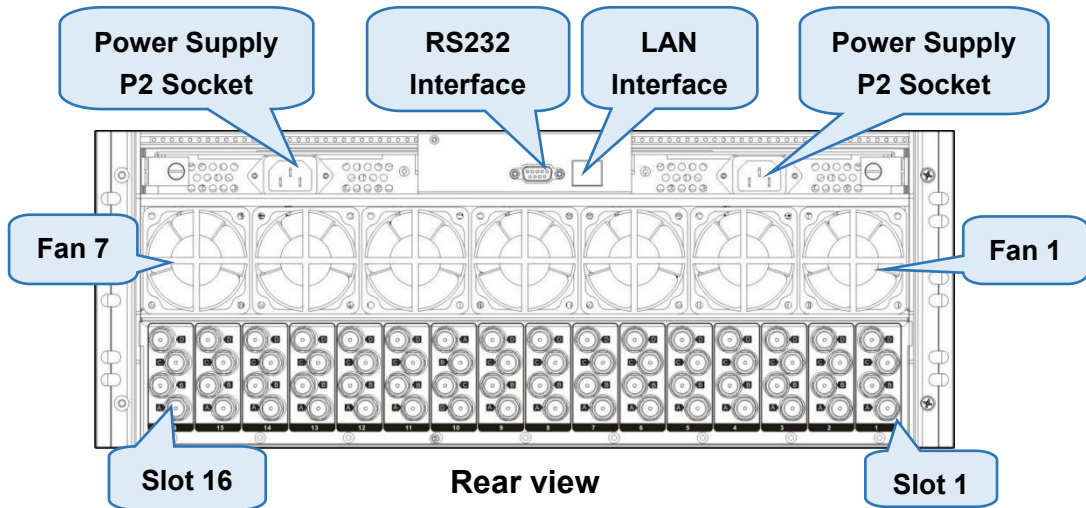
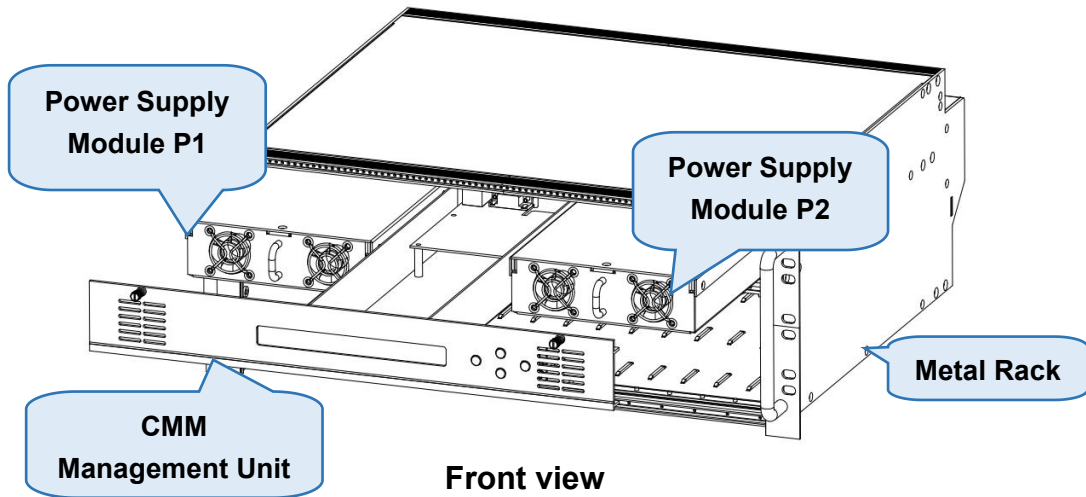
+5V	+5V actual voltage
-5V	-5V actual voltage
+24V	+24V actual voltage
FanOn Temp °C	Automatic fan on temperature inside the module, can be set
DevTemp °C	Real-time temperature inside the module
SN	Serial number
Version	Version number
Work Time	Total operating time of the power supply module

5. Performance Specifications

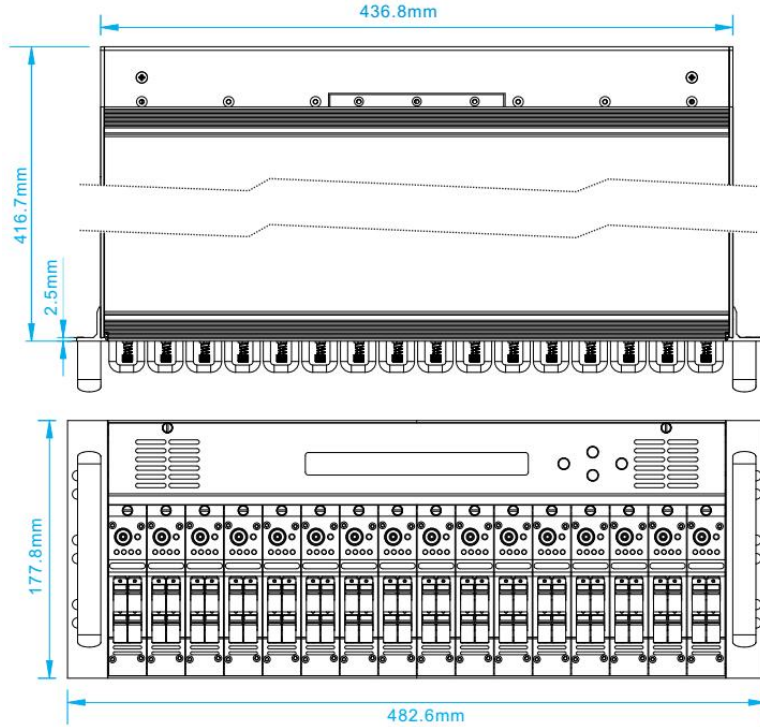
Item	Parameter
Dimension	483 x 417 x 178mm, W (including the handles in both sides) x D x H (4U in height)
Weight	12kg (including the rack, two power supply modules and CMM management unit)
AC220V input voltage	AC100V~AC260V50Hz±10%
DC48V input voltage	DC 40V - 60V
+24V output	14A, 340W, ripple: <100mV Vpp
-5V output	5A , 25W, ripple: <50mV Vpp

Conversion efficiency	>85%
Power factor	>0.9
Operating temperature	-25℃~55℃
Storage temperature	-30℃~70℃
Operating humidity	95%max, non-condensing
Operating atmospheric pressure	66kPa~106kPa
Static	8KV
Surge (1.2/50uS)	4KV (peak) with varistor. When doing surge tests, the power supply is without overvoltage protection
Impact voltage withstand	6KV input to output, positive and negative 10 times each
Safeguard	Protection for input overvoltage, overcurrent, output overload and short circuit

6. Structure Description



7. Dimension

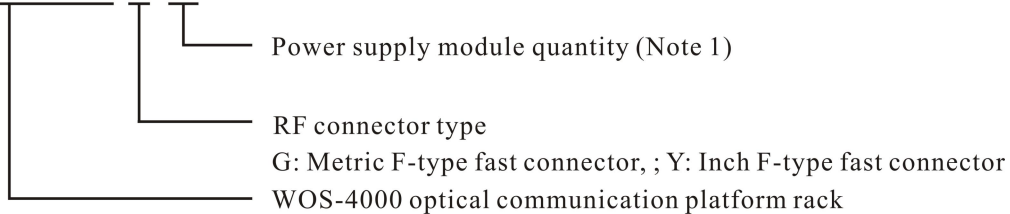


8. Installation

- Installation should be done by professionals.
- Before installing any module, check whether the row pins on the rear of the module are bent.
- Tighten the fixing screws after installing any module.
- Install the power supply module before the CMM unit. Remove the CMM unit before the power supply module.
- Check whether the cable on the power supply module is removed when removing the module.
- When installing multiple optical platforms in the same cabinet, it is recommended that 1RU space be reserved between the optical platforms to facilitate heat dissipation.

9. Naming Specification

WOS-4000-JK-G-1P



Note 1:

- 1P-A220: AC 220V single power supply
- 1P-D48: DC 48V single power supply
- 2P-A220: AC 220V dual power supplies
- 2P-D48: DC 48V dual power supplies
- 2P-A220+D48: AC 220V+DC 48V dual power supplies

Note 2: The power cord type is a national standard three-pin plug. Other requirements, please specify in the order.